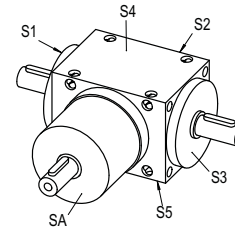
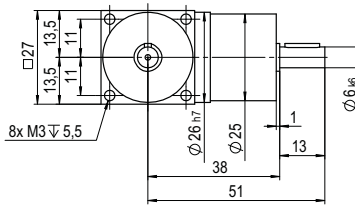
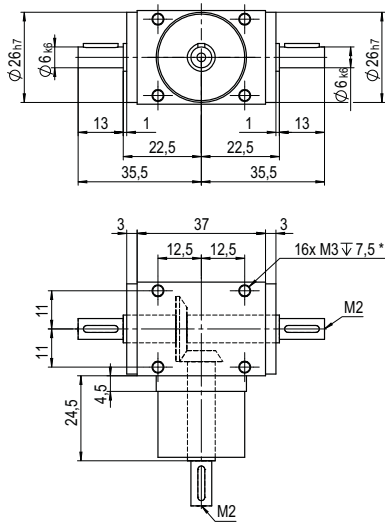
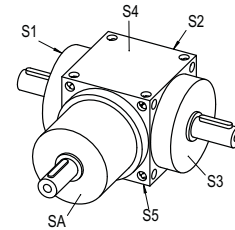
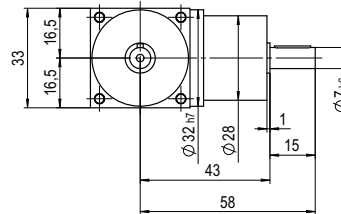
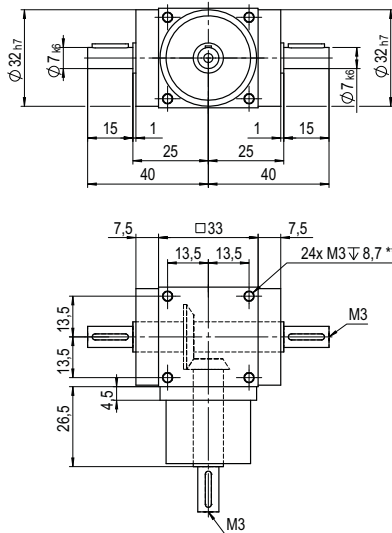


Dimensions Configuration L/H

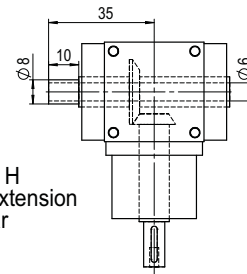
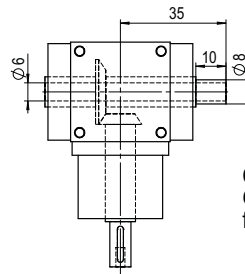
P27L



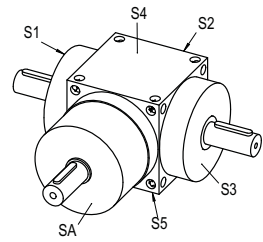
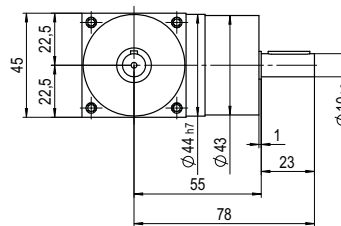
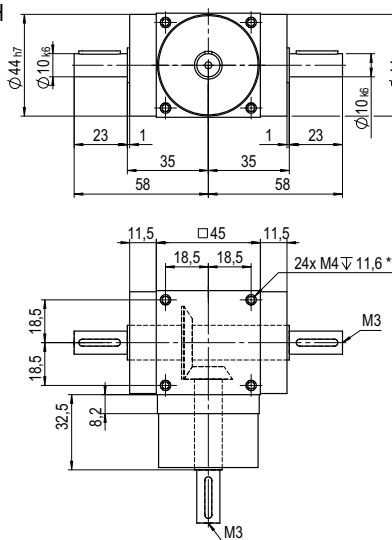
P33L/H



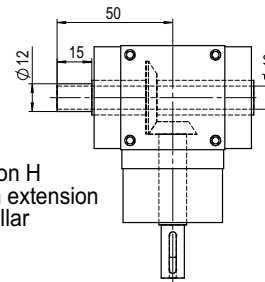
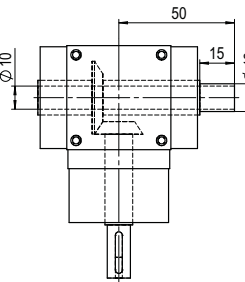
Configuration H
Output with extension
for shaft collar



P45L/H



Configuration H
Output with extension
for shaft collar



*) thread starts from 4 mm depth, **) thread starts from 4.5 mm depth, ***) thread starts from 6 mm depth, feather key to DIN 6885/1