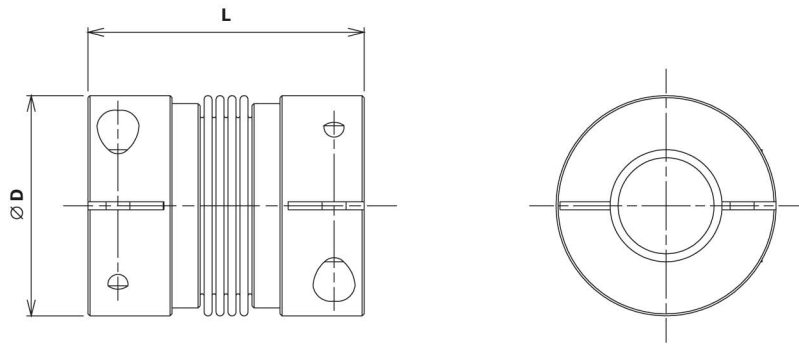


CONNECTING KIT **DYNABOX**® -SERVOMOTOR

TORSION STIFF COUPLINGS



Coupling reference		AM N° 5	AM N° 10	AM N° 15	AM N° 30	AM N° 60	AM N° 80
Ø servo shaft and DYNABOX shaft	mm	<Ø16	<Ø24	<Ø28	<Ø32	<Ø35	<Ø42
Servo nominal torque	Nm	5	10	15	30	60	80
Servo peak torque	Nm	7,5	15	22,5	45	90	120
Ø D	mm	32	40	49	55	66	82
L	mm	42	46	60	70	81	94
Polar moment of inertia	10 ⁻³ kgm ²	0,01	0,02	0,05	0,09	0,18	0,54
Torsional stiffness	Nm/arcmin	2	2,6	6	11	22	37
Tightening torque of campling screws	Nm	4	4,5	9	14	35	70

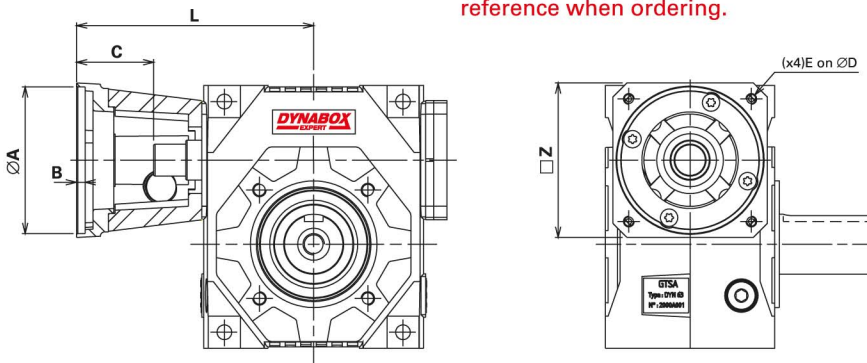
Specify the coupling reference and the servo shaft Ø when ordering.

Example : AM n° 15 Ø 14.

To calculate the input total inertia, add the coupling iner-

CONNECTING FLANGE

Select the required flange on page 15.



If no flange can be found in the list, supply the dimensions from A to Z, or supply the servo reference when ordering.

DYNABOX	Reference	A	B	C*	D	E	L	Z	
25	BM-F46/30	30	4	27	46	M3	80	58	
	BM-F63/40	40	4	27	63	M4	80	65	
	BM-F70/50	50	4	32	70	M4	85	65	
	BM-F75/60	60	4	32	75	M5	85	65	
	BM-F90/70	70	4	32	90	M5	85	90	
	BM-F95/70	50	4	32	95	M6	85	90	
	BM-F100/80	80	5	42	100	M6	95	90	
	BM-F115/95	95	5	52	115	M8	105	105	
	BM-F63/40	40	4	32	63	M4	111	65	
	BM-F70/50	50	4	35	70	M4	114	65	
35	BM-F75/60	60	4	35	75	M5	114	65	
	BM-F90/70	70	4	45	90	M5	124	90	
	BM-F95/50	50	4	35	95	M6	114	90	
	BM-F100/80	80	5	45	100	M6	124	90	
	BM-F115/95	95	5	45	115	M8	124	118	
	BM-F130/95	95	5	55	130	M8	134	118	
	BM-F130/110	110	5	55	130	M8	134	118	
	BM-F145/110	110	6,5	65	145	M8	144	118	
	45	BM-F70/50	50	4	35	70	M4	135	81
		BM-F75/60	60	4	35	75	M5	135	81
BM-F90/70		70	4	45	90	M5	145	91	
BM-F95/50		50	4	35	95	M6	135	91	
BM-F100/80		80	5	45	100	M6	145	91	
BM-F115/95		95	5	45	115	M8	145	115	
BM-F130/95		95	5	55	130	M8	155	115	
BM-F130/110		110	5	55	130	M8	155	115	
BM-F145/110		110	6,5	65	145	M8	165	140	
BM-F165/110		110	6,5	65	165	M10	155	140	
55	BM-F165/130	130	6,5	65	165	M10	155	140	
	BM-F70/50	50	4	35	70	M4	146	81	
	BM-F75/60	60	4	35	75	M5	146	81	
	BM-F90/70	70	4	45	90	M5	156	91	
	BM-F95/50	50	4	35	95	M6	146	91	
	BM-F100/80	80	5	45	100	M6	156	91	
	BM-F115/95	95	5	45	115	M8	156	115	
	BM-F130/95	95	5	55	130	M8	166	115	
	BM-F130/110	110	5	55	130	M8	166	115	
	BM-F145/110	110	6,5	65	145	M8	176	140	
63	BM-F165/110	110	6,5	65	165	M10	166	140	
	BM-F165/130	130	6,5	65	165	M10	166	140	
	BM-F70/50	50	4	40	70	M4	160	102	
	BM-F75/60	60	4	40	75	M5	160	102	
	BM-F90/70	70	4	46	90	M5	166	102	
	BM-F100/80	80	5	46	100	M6	166	102	
	BM-F115/95	95	5	46	115	M8	166	115	
	BM-F130/95	95	5	56	130	M8	176	115	
	BM-F130/110	110	5	56	130	M8	176	115	
	BM-F145/110	110	6,5	66	145	M8	186	140	
75	BM-F165/110	110	6,5	66	165	M10	176	140	
	BM-F165/130	130	6,5	66	165	M10	176	140	
	BM-F200/114,3	114,3	6,5	86	200	M10	206	185	
	BM-F215/130	130	6,5	66	215	M12	186	185	
	BM-F215/180	180	6,5	66	215	M12	186	185	
	BM-F70/50	50	4	40	70	M4	185	102	
	BM-F75/60	60	4	40	75	M5	185	102	
	BM-F90/70	70	4	46	90	M5	191	102	
	BM-F100/80	80	5	46	100	M6	191	102	
	BM-F115/95	95	5	46	115	M8	191	115	
90	BM-F130/95	95	5	56	130	M8	201	115	
	BM-F130/110	110	5	56	130	M8	201	115	
	BM-F145/110	110	6,5	66	145	M8	211	140	
	BM-F165/110	110	6,5	66	165	M10	201	140	
	BM-F165/130	130	6,5	66	165	M10	201	140	
	BM-F200/114,3	114,3	6,5	86	200	M10	231	185	
	BM-F215/130	130	6,5	66	215	M12	211	185	
	BM-F215/180	180	6,5	66	215	M12	211	185	
	BM-F100/80	80	4	46	100	M6	205,5	123	
	BM-F115/95	95	5	46	115	M8	205,5	123	
110	BM-F130/95	95	5	56	130	M8	215,5	123	
	BM-F130/110	110	5	56	130	M8	215,5	123	
	BM-F145/110	110	6,5	66	145	M8	225,5	140	
	BM-F165/110	110	6,5	66	165	M10	215,5	140	
	BM-F165/130	130	6,5	66	165	M10	215,5	140	
	BM-F200/114,3	114,3	6,5	86	200	M10	245,5	185	
	BM-F215/130	130	6,5	66	215	M12	225,5	185	
	BM-F215/180	180	6,5	66	215	M12	225,5	185	
	BM-F300/250	250	6,5	88	300	M14	247,5	260	
	BM-F100/80	80	4	46	100	M6	229	123	
BM-F115/95	95	5	46	115	M8	229	123		
BM-F130/95	95	5	56	130	M8	239	123		
BM-F130/110	110	5	56	130	M8	239	123		
BM-F145/110	110	6,5	66	145	M8	249	140		
BM-F165/110	110	6,5	66	165	M10	239	140		
BM-F165/130	130	6,5	66	165	M10	239	140		
BM-F200/114,3	114,3	6,5	86	200	M10	269	185		
BM-F215/130	130	6,5	66	215	M12	249	185		
BM-F215/180	180	6,5	66	215	M12	249	185		
BM-F300/250	250	6,5	88	300	M14	271	260		

* A spacer can be supplied if motor shaft length is longer than C dimension (specify it when ordering)