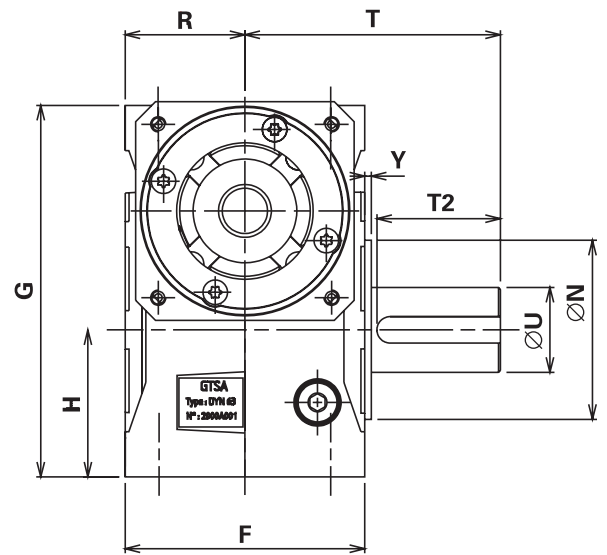
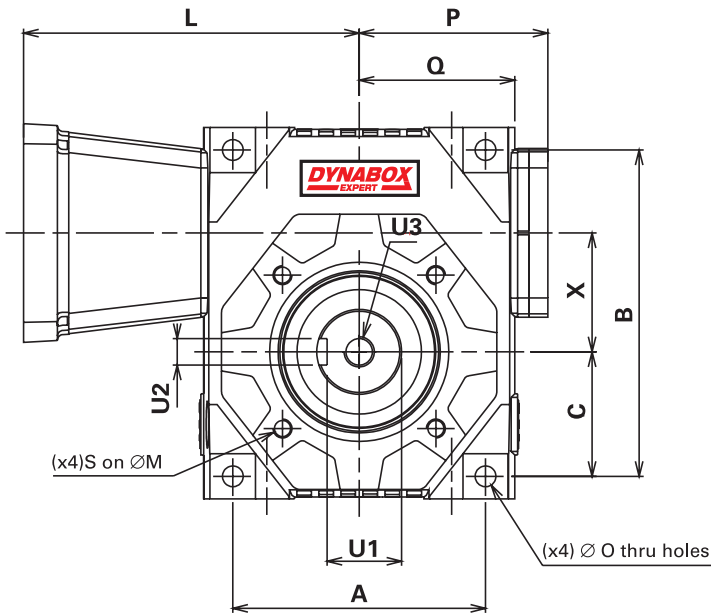
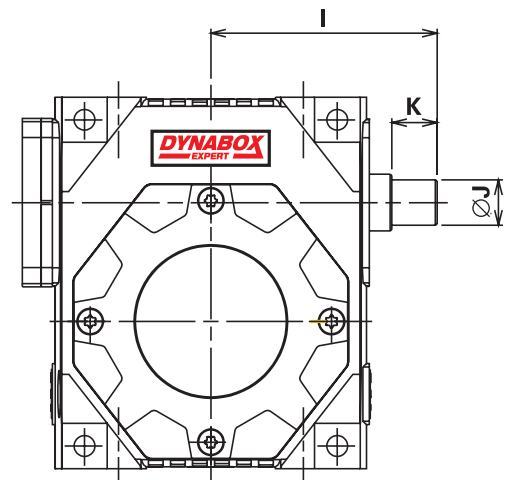
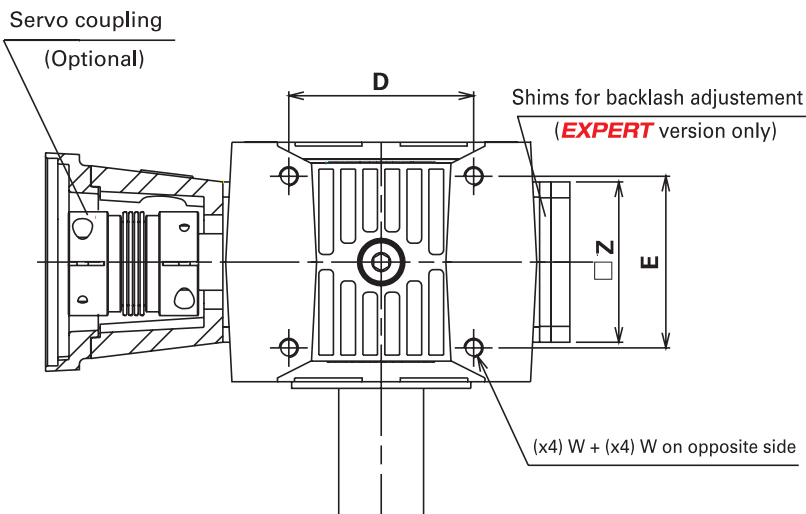


DYNABOX[®] OUTPUT SHAFT

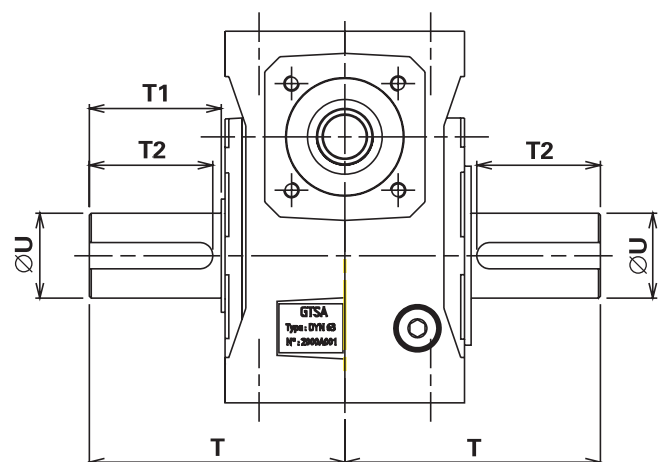
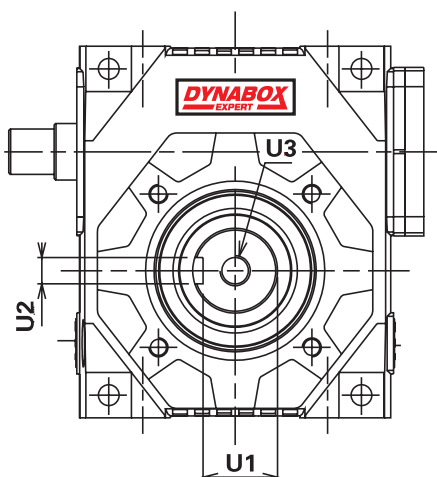
SINGLE OUTPUT SHAFT



INPUT SHAFT VERSION



DUAL OUTPUT SHAFT

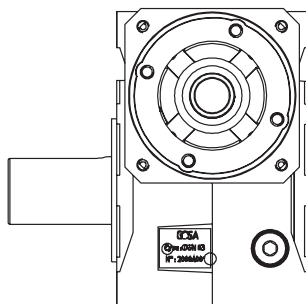


DYNABOX	35	45	55	63	75	90	110
A	86	108	120	134	172	186	220
B	110	135	155	173	208	234	276
C	44,5	53	61	66	82	91	108
D	62	81	90	98	136	141	175
E	56	68	78	91	110	130	140
F	86	100	112	127	148	170	182
G	126	153	175	197	232	264	306
H	52,5	62	71	78	94	106	123
I Maxi	84	105	116	126	151	168,5	189
I mini	77,5	97,5	108	116	140	153,5	177
J (j6)	12	15	18	20	24	28	32
K	17	20	22	24	28	28	36
L				see page 15			
M	65	85	100	115	130	165	200
N (j7)	50	70	80	95	110	130	165
O	7	9	9	11	11	13	13
P (Maxi)	70	83,5	91	101	124	136,5	152
Q	55	67,5	75	84	104	114,5	132
R	43	50	56	63,5	74	85	91
S	M6	M8	M8	M10	M10	M12	M12 (x8)
T	83	107	118	135,5	151	187	208
T1	38(*)	55(*)	60(*)	70	75	100	115
T2	35	50	55	65	70	95,5	110
U (h6)	25	35	40	45	50	65	75
U1	21	30	35	39,5	44,5	58	67,5
U2	8	10	12	14	14	18	20
U3	M10	M12	M16	M16	M16	M20	M20
W	M6	M8	M8	M10	M10	M12	M12
X	35	45	55	63	75	90	110
Y	3	3	3,5	3,5	4	4	5
Z	58	75	75	85	95	115	115
WEIGHT (kg)	3,6	6,8	9,2	15,2	22,2	35,1	50,3

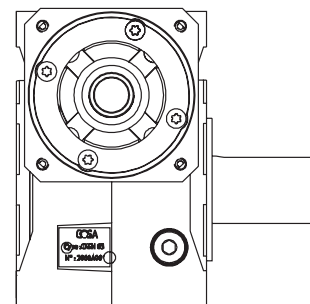
(*) : No shoulder on shaft

MOUNTING POSITIONS

H1



H2



All mounting positions on the machine are accepted with the factory lubricated **DYNABOX**.
However, applications which use less than 360° of the output require a higher oil level. It should be specified when ordering.