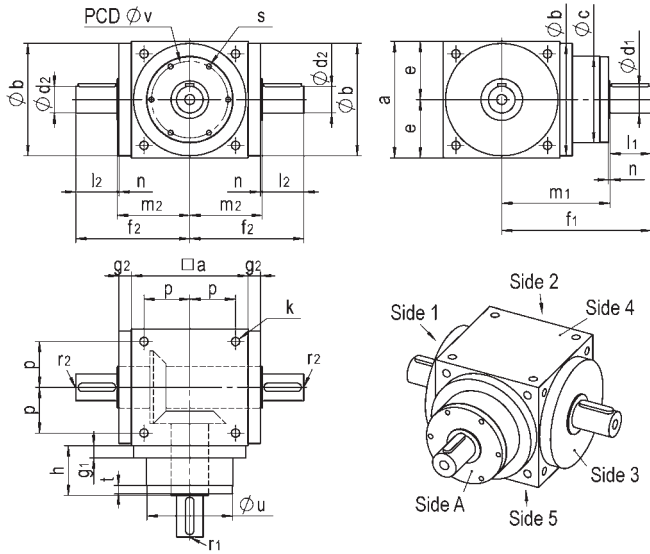


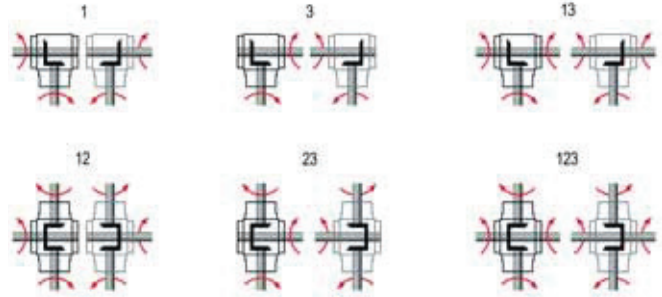
# Dimensions and shaft arrangements

## P-Version L Series

**POWER GEAR**



Always right view = mirrored illustration



	P54L	P75L	P90L	P110L	P140L	P170L	P210L	P240L	P280L
<b>a</b>	54	75	90	110	140	170	210	240	280
<b>Øb</b> h7	53	73	88	108	135	165	205	235	275
<b>Øc</b>	53	72	86	106	104	128	160	180	200
<b>Ød1</b> k6	11	16	18	22	32	40	50	55	60
<b>l1</b>	23	30	35	40	50	60	75	85	110
<b>Ød2</b> k6	11	16	18	22	32	40	50	55	60
<b>l2</b>	23	30	35	40	50	60	75	85	110
<b>e</b>	27	37,5	45	55	70	85	105	120	140
<b>f1</b>	95	120	135	155	180	215	265	300	360
<b>f2</b>	60	84	97	112	137	162	202	231	276
<b>g1</b>	43	15	15	15	15	15	20	25	25
<b>g2</b>	9	14,5	15	15	15	15	20	25	25
<b>h</b>	45	52,5	55	60	60	70	85	95	110
<b>k</b>	M5 x14,5*	M6 x12	M6 x12	M8 x15,5	M10 x19,5	M12 x23	M16 x30	M16 x30	M16 x30
<b>m1</b>	72	90	100	115	130	155	190	215	250
<b>m2</b>	37	54	62	72	87	102	127	147	167
<b>n1</b>	2	2	2	2	2	2	2	2	2
<b>n2</b>	1	2	2	2	2	2	2	2	2
<b>p</b>	22	30	36	44	55	67	85	95	110
<b>r1**</b>	M4	M5	M6	M8	M12	M16	M16	M20	M20
<b>r2**</b>	M4	M5	M6	M8	M12	M16	M16	M20	M20
<b>s</b>	–	4x M5 x9	4x M5 x12	6x M6 x12	6x M6 x12	6x M8 x14	6x M8 x14	6x M8 x14	6x M10 x17
<b>t</b>	–	8	8	8	10	10	10	10	10
<b>Øu</b> g6	–	72,9	87	107	103	127	158	178	198
<b>Øv</b>	–	62	76	92	92	114	142	160	176
<b>Key</b> d1	4x4x18	5x5x25	6x6x28	6x6x32	10x8x45	12x8x50	14x9x70	16x10x80	18x11x100
<b>Key</b> d2	4x4x18	5x5x25	6x6x28	6x6x32	10x8x45	12x8x50	14x9x70	16x10x80	18x11x100

\* Thread starts from 7.00 mm depth

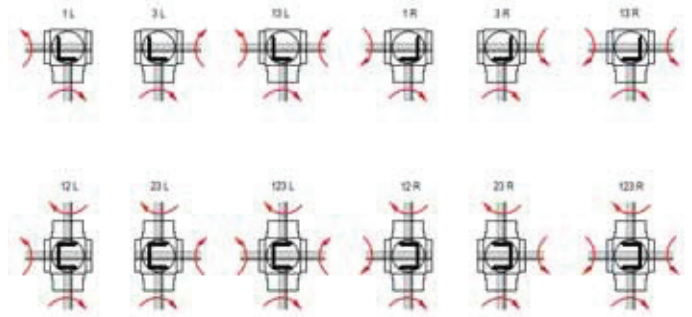
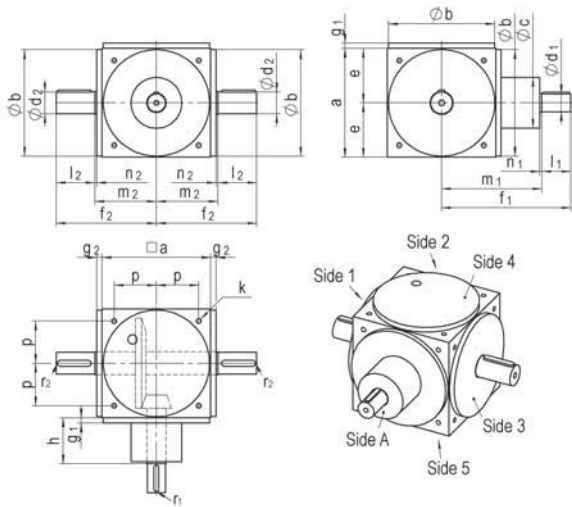
\*\* According to Form D, DIN332

# Dimensions and shaft arrangements

## P-Version L Series

**POWER GEAR**

Always right view = mirrored illustration



		P360L	P450L
<b>a</b>	i=1:1 – 5:1	360	450
<b><math>\phi b</math> h7</b>	i=1:1 – 5:1	350	440
<b><math>\phi c</math></b>	i=1:1 – 2:1	210	250
	i=3:1 – 5:1	170	210
<b><math>\phi d_1</math> k6</b>	i=1:1 – 2:1	75	90
	i=3:1	60	75
	i=4:1	55	70
	i=5:1	50	60
<b><math>l_1</math></b>	i=1:1 – 2:1	120	160
	i=3:1	110	120
	i=4:1	85	120
	i=5:1	80	110
<b><math>\phi d_2</math> k6</b>	i=1:1 – 5:1	75	90
<b><math>l_2</math></b>	i=1:1 – 5:1	120	160
<b>e</b>	i=1:1 – 5:1	180	225
<b><math>f_1</math></b>	i=1:1 – 2:1	445	570
	i=3:1	435	530
	i=4:1	410	530
	i=5:1	405	520
<b><math>f_2</math></b>	i=1:1 – 5:1	325	410
<b><math>g_1</math></b>	i=1:1 – 5:1	22	22
<b><math>g_2</math></b>	i=1:1 – 5:1	22	22
<b>h</b>	i=1:1 – 5:1	145	185
<b>k</b>	i=1:1 – 5:1	M20 x37,5	M20 x37,5
<b><math>m_1</math></b>	i=1:1 – 5:1	325	410
<b><math>m_2</math></b>	i=1:1 – 5:1	205	250
<b><math>n_1</math></b>	i=1:1 – 5:1	3	3
<b><math>n_2</math></b>	i=1:1 – 5:1	3	3
<b>p</b>	i=1:1 – 5:1	140	175
<b><math>r_{1**}</math></b>	i=1:1 – 2:1	M20	M24
	i=3:1	M20	M20
	i=4:1	M20	M20
	i=5:1	M16	M20
<b><math>r_{2**}</math></b>	i=1:1 – 5:1	M20	M24
<b>s</b>	i=1:1 – 5:1	–	–
<b>t</b>	i=1:1 – 5:1	–	–
<b><math>\phi u_{g6}</math></b>	i=1:1 – 5:1	–	–
<b><math>\phi v</math></b>	i=1:1 – 5:1	–	–
<b>Key<math>_{d1}</math></b>	i=1:1 – 2:1	20x12x110	25x14x140
	i=3:1	18x11x100	20x12x110
	i=4:1	16x10x80	20x12x110
	i=5:1	14x9x70	18x11x100
<b>Key<math>_{d2}</math></b>	i=1:1 – 5:1	20x12x110	25x14x140

\*\* According to Form D, DIN332