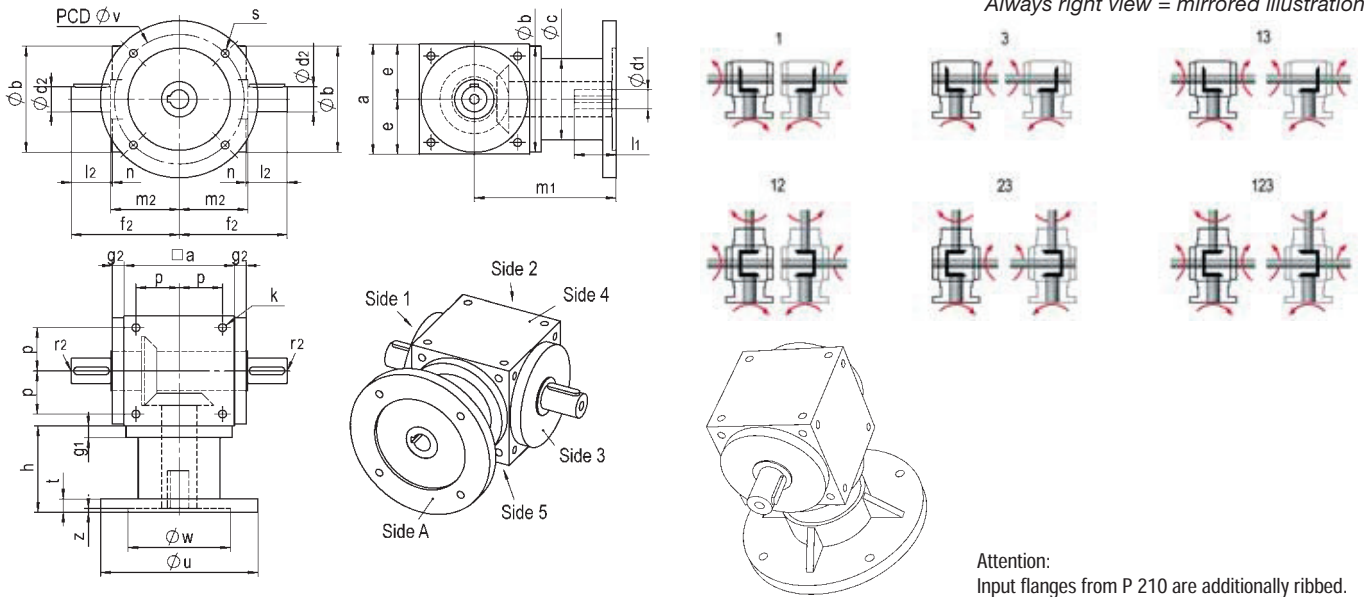


Dimensions and shaft arrangements

P-Version FL Series

POWER GEAR

Always right view = mirrored illustration



	P75FL	P90FL	P110FL	P140FL	P170FL	P210FL	P240FL	P280FL
a	75	90	110	140	170	210	240	280
Øb _{h7}	73	88	108	135	165	205	235	275
Øc	72	86	106	104	128	160	180	200
Ød _{2 k6}	16	18	22	32	40	50	55	60
l ₂	30	35	40	50	60	75	85	110
e	37,5	45	55	70	85	105	120	140
f ₂	84	97	112	137	162	202	231	276
g ₁	15	15	15	15	15	20	25	25
g ₂	14,5	15	15	15	15	20	25	25
h	62,5	68	80	110	130	170	180	185
k	M6 x12	M6 x12	M8 x15,5	M10 x19,5	M12 x23	M16 x30	M16 x30	M16 x30
m ₁	102	113	135	180	215	275	300	325
m ₂	54	62	72	87	102	127	147	167
n ₂	2	2	2	2	2	2	2	2
p	30	36	44	55	67	85	95	110
r ₂ **	M5	M6	M8	M12	M16	M16	M20	M20
t	14	14	17	17	20	20	20	20
Key _{d2}	5x5x25	6x6x28	6x6x32	10x8x45	12x8x50	14x9x70	16x10x80	18x11x100
Z	4,5	4,5	5	5	6	6	6	6

Also available with flange and coupling

Input shaft Ød₁^{G7} x L1 with keyway bxh to DIN 6885/1

14x33/5x5	14x33/5x5	19x43/6x6	24x53/8x7	28x63/8x7	38x83/10x8	38x83/10x8	48x115/14x9
	19x43/6x6	24x53/8x7	28x63/8x7	32x83/10x8	42x115/12x8	42x115/12x8	55x115/16x10
			32x63/10x8	38x83/10x8	48x115/14x9	48x115/14x9	

Input flange B5 Øu / Øv with 4 threaded holes s / Øw^{F7}

120/100+6/80	120/100+6/80	120/100+6/80	160/130+8/110	200/165+10/130		250/215+12/180	300/265+12/230
140/115+8/95	140/115+8/95	140/115+8/95	200/165+10/130	250/215+12/180	250/215+12/180	300/265+12/230	350/300+16/250
160/130+8/110	160/130+8/110	160/130+8/110	250/215+12/180	300/265+12/230	300/265+12/230	350/300+16/250	400/350+16/300
200/165+10/130	200/165+10/130	200/165+10/130	300/265+12/230	350/300+16/250	350/300+16/250	400/350+16/300	450/400+16/350

Input flange B14 Øu / Øv with bore holes s / Øw^{F7}

120/100+6,6/80							
140/115+9/95	140/115+9/95						
160/130+9/110	160/130+9/110	160/130+9/110	160/130+9/110				
200/165+11/130	200/165+11/130	200/165+11/130	200/165+11/130	200/165+11/130			

** According to Form D, DIN332