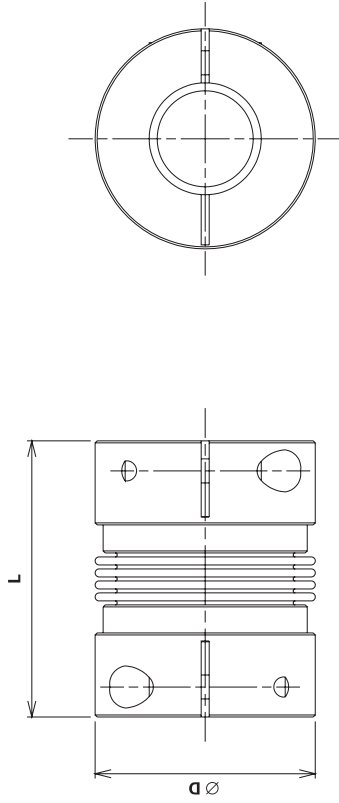


# CONNECTING KIT **DYNABOX**® -SERVOMOTOR

## TORSION STIFF COUPLINGS



Coupling reference	AM N° 5	AM N° 10	AM N° 15	AM N° 30	AM N° 60	AM N° 80
Ø servo shaft and <b>DYNABOX</b> shaft	<Ø16	<Ø24	<Ø28	<Ø32	<Ø35	<Ø42
Servo nominal torque	5 Nm	10 Nm	15 Nm	30 Nm	60 Nm	80 Nm
Servo peak torque	7,5 Nm	15 Nm	22,5 Nm	45 Nm	90 Nm	120 Nm
Ø D	32 mm	40 mm	49 mm	55 mm	66 mm	82 mm
L	42 mm	46 mm	60 mm	70 mm	81 mm	94 mm
Polar moment of inertia	0,01 10 <sup>-3</sup> kgm <sup>2</sup>	0,02	0,05	0,09	0,18	0,54
Torsional stiffness	2 Nm/arcmin	2	6	11	22	37
Tightening torque of campling screws	4 Nm	4	9	14	35	70

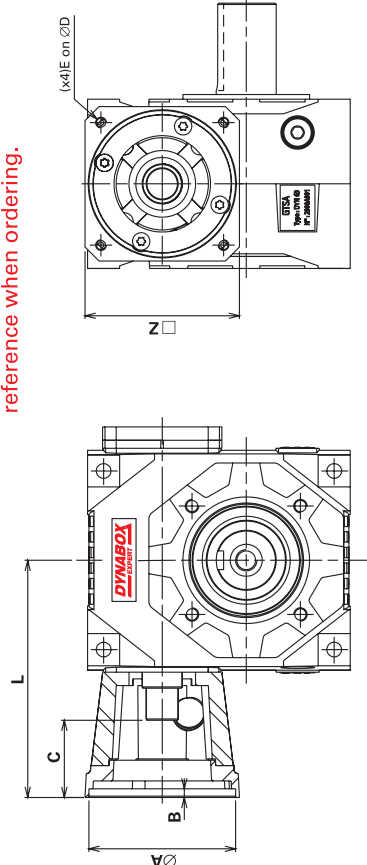
Specify the coupling reference and the servo shaft Ø when ordering.

Exemple : AM n° 15 Ø 14.

To calculate the input total inertia, add the coupling iner-

## CONNECTING FLANGE

Select the required flange on page 15.



If no flange can be found in the list, supply the dimensions from A to Z, or supply the servo reference when ordering.

<b>DYNABOX</b>	Reference	A	B	C*	D	E	L	Z
<b>25</b>	BM-F46/30	30	4	27	46	M3	80	58
	BM-F63/40	40	4	27	63	M4	80	65
	BM-F70/50	50	4	32	70	M5	85	65
	BM-F75/60	60	4	32	75	M5	85	65
	BM-F90/70	70	4	32	90	M6	85	90
	BM-F95/70	70	4	32	95	M6	85	90
	BM-F100/80	80	5	42	100	M6	95	90
	BM-F115/95	95	5	52	115	M8	105	105
	BM-F130/95	95	5	55	130	M8	118	118
	BM-F145/110	110	5	55	145	M8	134	118
<b>35</b>	BM-F70/50	50	4	35	70	M4	114	65
	BM-F75/60	60	4	35	75	M4	114	65
	BM-F90/70	70	4	45	90	M5	124	90
	BM-F95/50	50	4	35	95	M6	114	90
	BM-F100/80	80	5	45	100	M6	124	90
	BM-F115/95	95	5	45	115	M8	145	115
	BM-F130/95	95	5	55	130	M8	145	115
	BM-F145/110	110	5	55	145	M8	155	115
	BM-F165/130	130	6,5	65	165	M8	165	140
	BM-F165/130	130	6,5	65	165	M10	155	140
<b>45</b>	BM-F70/50	50	4	35	70	M4	135	81
	BM-F75/60	60	4	35	75	M4	135	81
	BM-F90/70	70	4	45	90	M5	145	91
	BM-F95/50	50	4	35	95	M5	145	91
	BM-F100/80	80	5	45	100	M6	145	91
	BM-F115/95	95	5	45	115	M8	145	91
	BM-F130/95	95	5	55	130	M8	155	115
	BM-F145/110	110	5	55	145	M8	155	115
	BM-F165/130	130	6,5	65	165	M8	165	140
	BM-F165/130	130	6,5	65	165	M10	155	140
<b>55</b>	BM-F70/50	50	4	35	70	M4	146	81
	BM-F75/60	60	4	35	75	M4	146	81
	BM-F90/70	70	4	45	90	M5	156	91
	BM-F95/50	50	4	35	95	M6	146	91
	BM-F100/80	80	5	45	100	M6	156	91
	BM-F115/95	95	5	45	115	M8	156	91
	BM-F130/95	95	5	55	130	M8	166	115
	BM-F145/110	110	5	55	145	M8	166	115
	BM-F165/130	130	6,5	65	165	M8	176	140
	BM-F165/130	130	6,5	65	165	M10	166	140
<b>63</b>	BM-F70/50	50	4	40	70	M4	160	102
	BM-F75/60	60	4	40	75	M4	160	102
	BM-F90/70	70	4	46	90	M5	166	102
	BM-F90/70	70	4	46	100	M5	166	102
	BM-F100/80	80	5	46	100	M6	166	102
	BM-F115/95	95	5	46	115	M8	166	102
	BM-F130/95	95	5	56	130	M8	176	115
	BM-F145/110	110	5	56	145	M8	176	115
	BM-F165/130	130	6,5	66	165	M10	176	140
	BM-F165/130	130	6,5	66	165	M10	206	185
<b>75</b>	BM-F215/130	130	6,5	66	215	M12	186	185
	BM-F215/180	180	6,5	66	215	M12	186	185
	BM-F70/50	50	4	40	70	M4	185	102
	BM-F75/60	60	4	40	75	M4	185	102
	BM-F90/70	70	4	46	90	M5	191	102
	BM-F100/80	80	5	46	100	M6	191	102
	BM-F115/95	95	5	46	115	M8	191	102
	BM-F130/95	95	5	56	130	M8	201	115
	BM-F145/110	110	5	56	145	M8	211	140
	BM-F165/130	130	6,5	66	165	M10	201	140
<b>90</b>	BM-F200/114,3	114,3	6,5	86	200	M10	231	185
	BM-F215/130	130	6,5	66	215	M12	211	185
	BM-F215/180	180	6,5	66	215	M12	211	185
	BM-F100/80	80	4	46	100	M6	205,5	123
	BM-F115/95	95	5	46	115	M8	205,5	123
	BM-F130/95	95	5	56	130	M8	215,5	123
	BM-F145/110	110	5	56	145	M8	215,5	123
	BM-F165/130	130	6,5	66	165	M10	225,5	140
	BM-F165/130	130	6,5	66	165	M10	245,5	140
	BM-F200/114,3	114,3	6,5	86	200	M10	245,5	185
<b>110</b>	BM-F215/130	130	6,5	66	215	M12	225,5	185
	BM-F215/180	180	6,5	66	215	M12	225,5	185
	BM-F300/250	250	6,5	88	300	M14	247,5	260
	BM-F100/80	80	4	46	100	M6	229	123
	BM-F115/95	95	5	46	115	M8	229	123
	BM-F130/95	95	5	56	130	M8	239	123
	BM-F145/110	110	5	56	145	M8	239	123
	BM-F165/130	130	6,5	66	165	M10	249	140
	BM-F165/130	130	6,5	66	165	M10	239	140
	BM-F200/114,3	114,3	6,5	86	200	M10	269	185
BM-F215/130	130	6,5	66	215	M12	249	185	
BM-F215/180	180	6,5	66	215	M12	249	185	
BM-F300/250	250	6,5	88	300	M14	271	260	

\* A spacer can be supplied if motor shaft length is longer than C dimension (specify it when ordering)