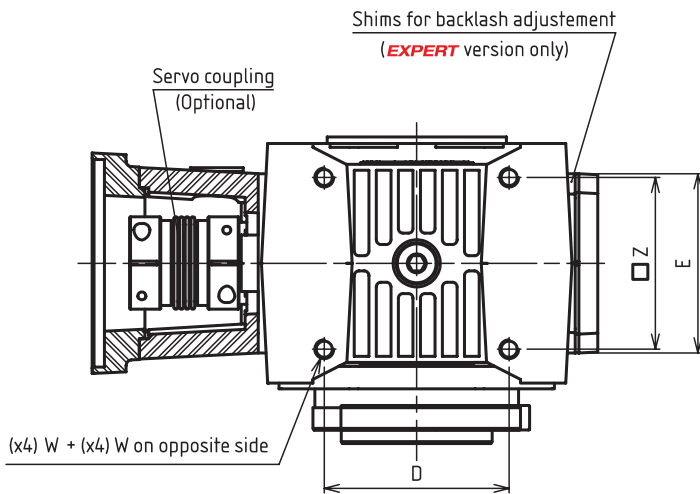
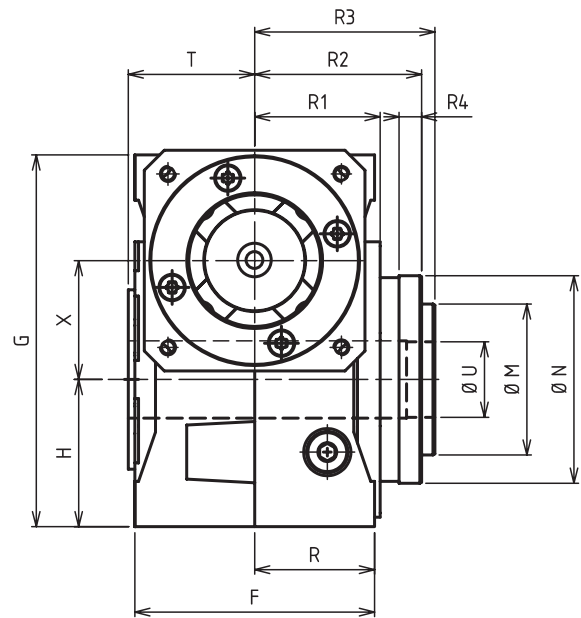
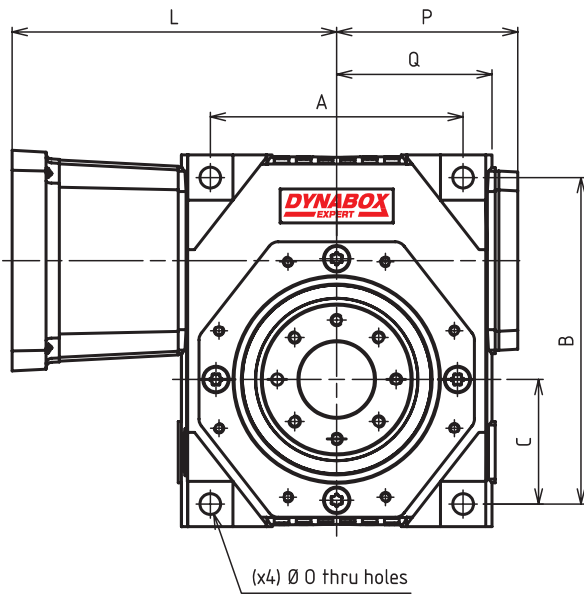
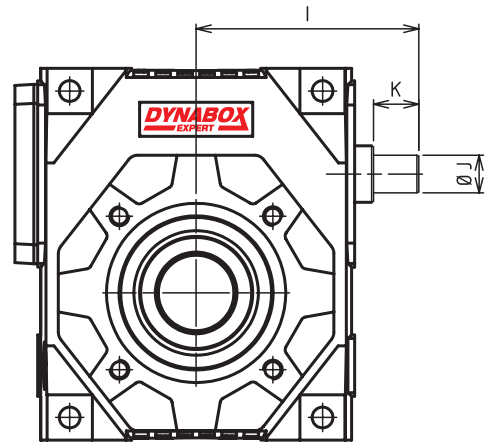


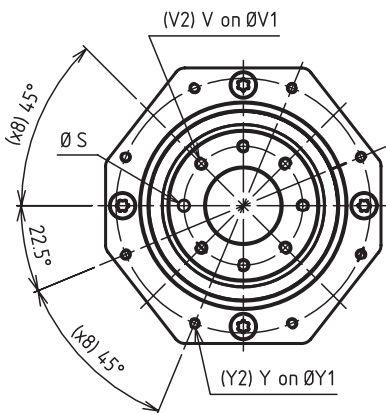
# DYNABOX<sup>®</sup> ROBOT FLANGE



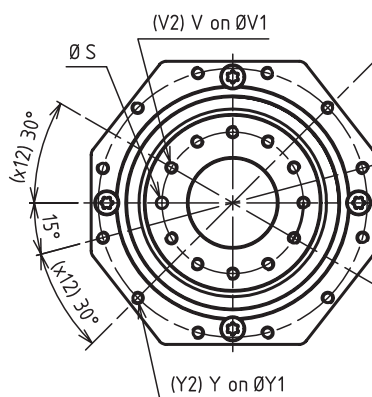
## INPUT SHAFT VERSION



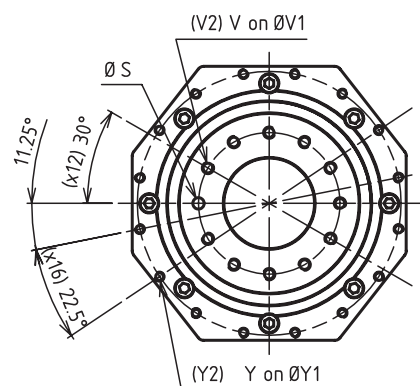
## SIZES 45 - 55 and 63



## SIZES 75 and 90

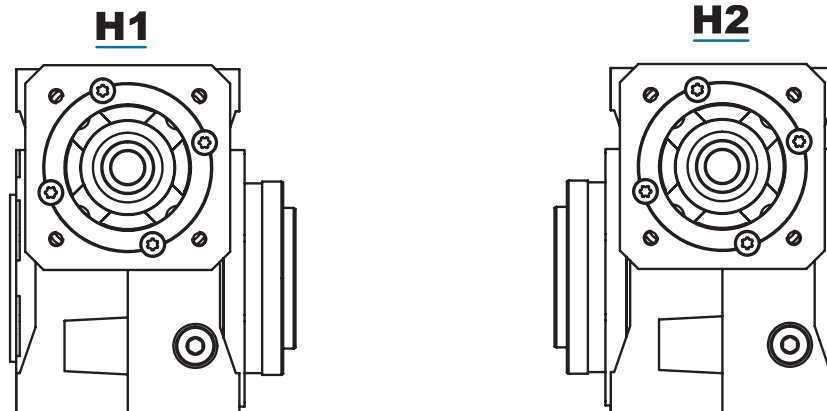


## SIZE 110



<b>DYNABOX</b>	<b>45</b>	<b>55</b>	<b>63</b>	<b>75</b>	<b>90</b>	<b>110</b>
A	108	120	134	172	186	220
B	135	155	173	208	234	276
C	53	61	66	82	91	108
D	81	90	98	136	141	175
E	68	78	91	110	130	140
F	100	112	127	148	170	182
G	153	175	197	232	264	306
H	62	71	78	94	106	123
I Maxi	105	116	126	151	165,5	189
I mini	97,5	108	116	140	153,5	177
J (j6)	15	18	20	24	28	32
K	20	22	24	28	28	36
L			see page 15			
M (h7)	50	63	80	100	125	160
N (h7)	80	90	110	140	165	200
O	9	9	11	11	13	13
P (Maxi)	83,5	91	101	124	136,5	152
Q	67,5	75	84	104	114,5	132
R	50	56	63,5	74	85	91
R1	54	59	66,5	79	93	100
R2	74	82	88,5	110	129	140
R3	80	89	95,5	117	138	150
R4	10	12	12	15	18	22
S (H7)	6	6	6	8	8	10
T	53	59,5	67	78	89	96
U (H7)	25	31,5	40	50	63	80
V - DEPTH	M6-11	M6-11	M6-11	M8-15	M8-15	M10-15
V1	40	50	63	80	100	125
V2	7	7	7	11	11	11
W	M8	M8	M10	M10	M12	M12
X	45	55	63	75	90	110
Y - DEPTH	M5-12	M5-12	M5-12	M6-15	M8-18	M8-19
Y1	100	109	135	168	190	233
Y2	8	8	8	12	12	16
Z	75	75	85	95	115	115
WEIGHT (kg)	7,6	10,5	15,2	22,5	36,15	51,7
Max. tilting torque (Nm)	250	450	780	1200	2150	3900
Tilting rigidity (Nm/arcmin)	330	520	580	800	1550	3050

# MOUNTING POSITIONS



All mounting positions on the machine are accepted with the factory lubricated **DYNABOX**. However, applications which use less than 360° of the output require a higher oil level. It should be specified when ordering.