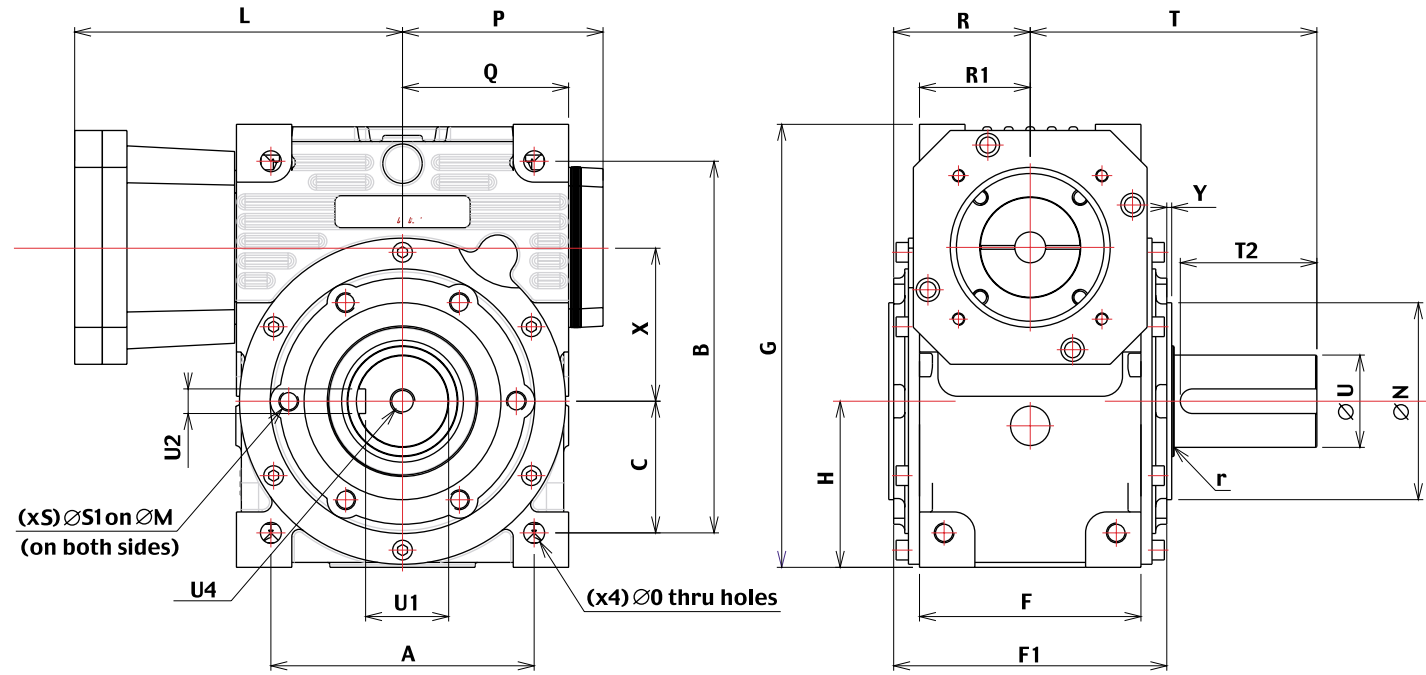
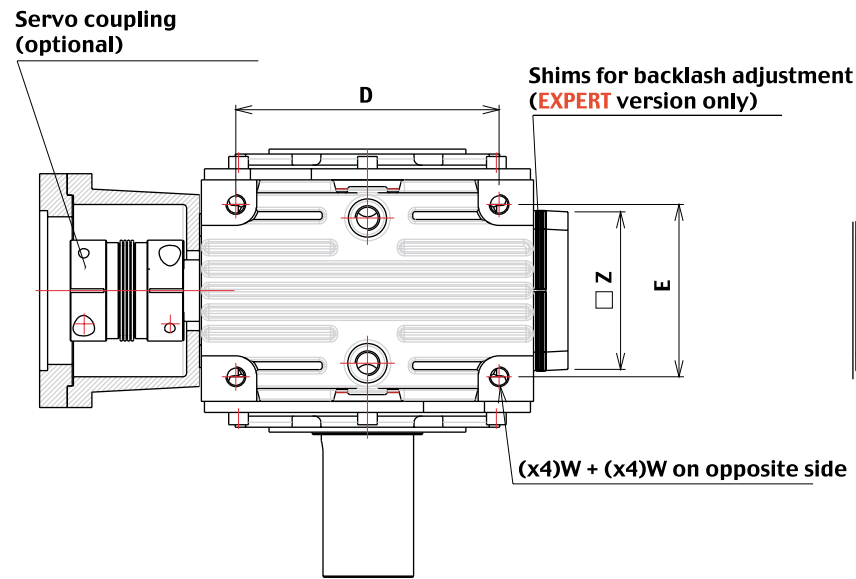


DYNABOX XL OUTPUT SHAFT

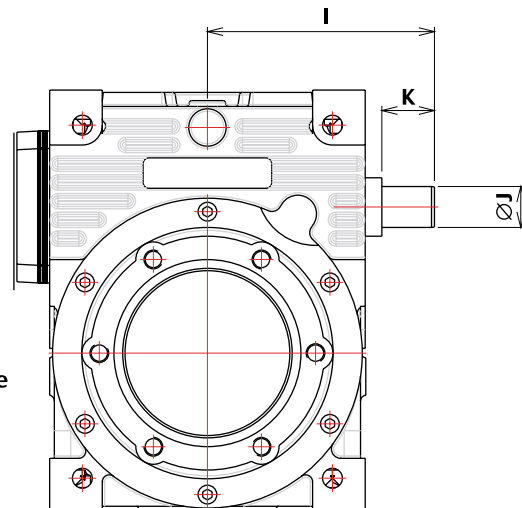
SINGLE OUTPUT SHAFT



| DYNABOX XL | 125 | 160 | 200 |
|------------|------------------|-----|-------|
| A | 214 | 284 | 342,5 |
| B | 302 | 377 | 483 |
| C | 107 | 142 | 171 |
| D | 214 | 284 | 342,5 |
| E | 140 | 150 | 224 |
| F | 180 | 198 | 288 |
| F1 | 222 | 246 | 374 |
| G | 360 | 450 | 576 |
| H | 135 | 175 | 216 |
| I | 195 | 240 | 289 |
| J | 35 | 42 | 48 |
| K | 45 | 50 | 55 |
| L | DEPENDS ON MOTOR | | |
| M | 185 | 230 | 300 |
| N | 160 | 190 | 250 |
| O | 17 | 22 | 28 |
| P | 163 | 204 | 251 |
| Q | 135 | 175 | 216 |
| r | 3 | 3 | 5 |
| R | 111 | 123 | 187 |
| R1 | 90 | 99 | 144 |
| S | 6 | 6 | 8 |
| S1 | M16 | M20 | M20 |
| T | 233 | 269 | 359 |
| T2 | 111 | 135 | 164 |
| U | 75 | 90 | 120 |
| U1 | 67,5 | 81 | 109 |
| U2 | 20 | 25 | 32 |
| U4 | M20 | M24 | M24 |
| W | M16 | M20 | M20 |
| X | 125 | 160 | 200 |
| Y | 4 | 5 | 5 |
| Z | 130 | 140 | 180 |



INPUT SHAFT VERSION



MOUNTING POSITIONS

| | 1 | 2 | 3 | 4 |
|---|---|---|---|---|
| H | | | | |
| V | | | | |
| F | | | | |