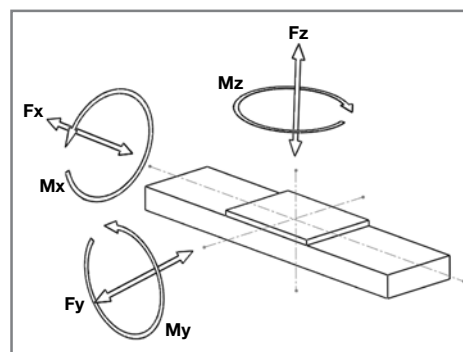
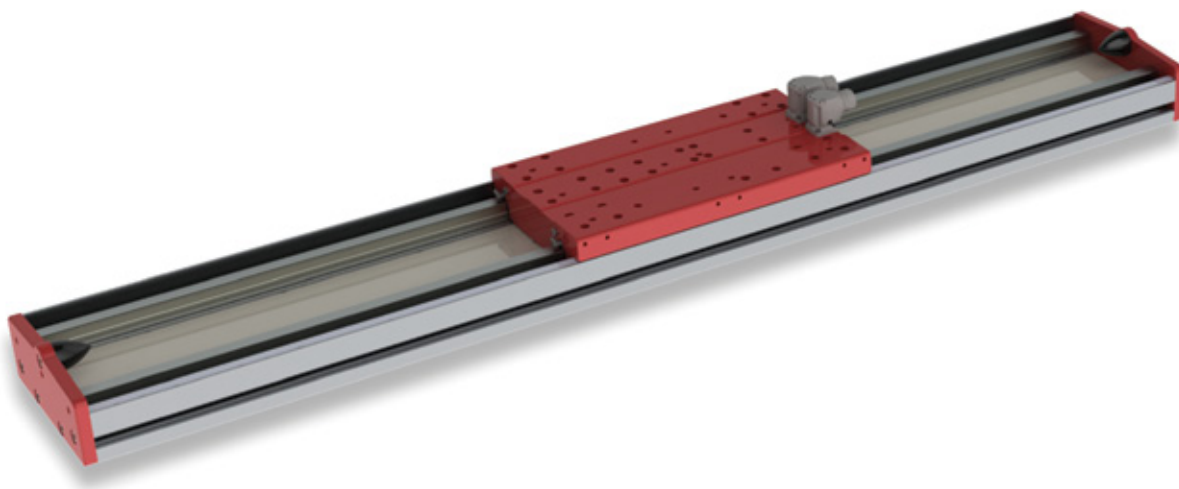




# MLE 5 linear motor stages

## Technical Description



Maximum Length without joints: up to 3.600 mm  
For code descriptions please see the "Order Code" on page 18

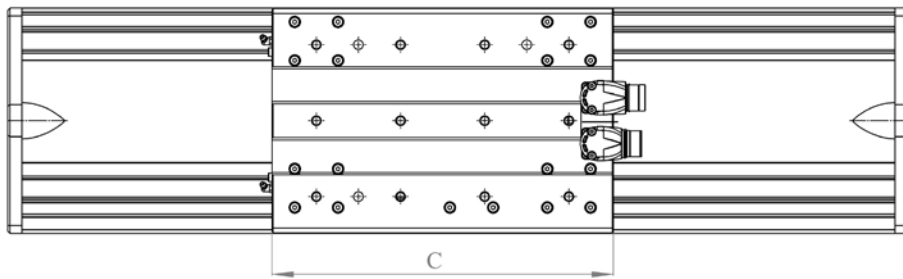
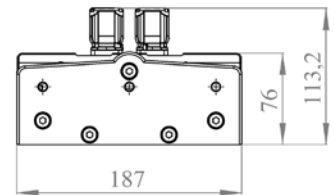
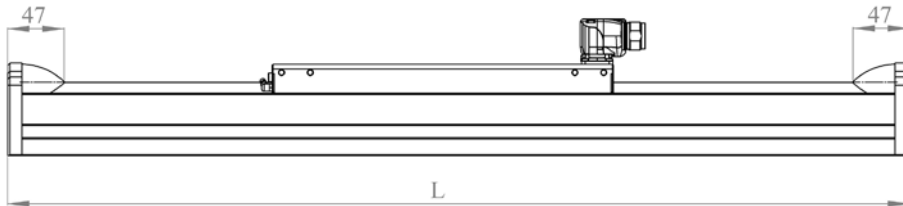
### Mechanical specifications

	MLE 50400		MLE 50800		MLE 51000		MLE 51200		MLE 51600		
	S	R	S	R	S	R	S	R	S	R	
<b>Linear motor features</b>											
Maximum speed at 560Vdc	m/s				5						
Continuous force aircooled $F_x$ <sup>1)</sup>	N	200	400		500		600		800		
Peak force $F_{xp}$	N	400	800		1000		1200		1600		
Nominal current	A	2,5	5,0		5,2		7,5		10,0		
Peak current	A	5,0	10,0		10,4		15,0		20,0		
<b>Guidance features</b>											
$F_y$	N	3000	3000	3000	3000	4500	4500	4500	4500	4500	
$F_z$	N	2000	2000	2000	2000	3000	3000	3000	3000	3000	
$M_x$	Nm	450	450	450	450	750	750	750	750	750	
$M_y$	Nm	600	700	700	750	750	1000	1000	1500	2000	
$M_z$	Nm	600	700	700	750	750	1000	1000	1500	2000	
<b>Structure profile features</b>											
Geometrical moments of inertia $L_x$	mm <sup>4</sup>					5,6x10 <sup>5</sup>					
Geometrical moments of inertia $L_y$	mm <sup>4</sup>					144,63x10 <sup>5</sup>					
Elastic module	N/mm <sup>2</sup>					70000					
<b>Weight</b>											
Weight of carriage	kg	4,5	4,9	6,0	6,4	7,0	8,1	8,7	10,0	14,0	16,0
Weight of 100 mm	kg					1,9					

<sup>1)</sup> depending on application and temperature



# Dimensions MLE 5



Drawing only for reference.  
Please ask for ready 3D files.

## Choice of stroke

		MLE 50400		MLE 50800		MLE 51000		MLE 51200		MLE 51600	
		S	R	S	R	S	R	S	R	S	R
<b>Carriage length C, mm</b>		212	284	284	334	334	376	376	508	508	570
Length, mm	Code	Stroke <sup>(2)</sup>									
462	00462	156	84	84	34	34	-	-	-	-	-
558	00558	252	180	180	130	130	88	88	-	-	-
654	00654	348	276	276	226	226	184	184	52	52	-
750	00750	444	372	372	322	322	280	280	148	148	86
846	00846	540	468	468	418	418	376	376	244	244	182
942	00942	636	564	564	514	514	472	472	340	340	278
1038	01038	732	660	660	610	610	568	568	436	436	374
1134	01134	828	756	756	706	706	664	664	532	532	470
1230	01230	924	852	852	802	802	760	760	628	628	566
1326	01326	1020	948	948	898	898	856	856	724	724	662
1422	01422	1116	1044	1044	994	994	952	952	820	820	758
1518	01518	1212	1140	1140	1090	1090	1048	1048	916	916	854
1614	01614	1308	1236	1236	1186	1186	1144	1144	1012	1012	950
1710	01710	1404	1332	1332	1282	1282	1240	1240	1108	1108	1046
1806	01806	1500	1428	1428	1378	1378	1336	1336	1204	1204	1142
1902	01902	1596	1524	1524	1474	1474	1432	1432	1300	1300	1238
1998	01998	1692	1620	1620	1570	1570	1528	1528	1396	1396	1334
2094	02094	1788	1716	1716	1666	1666	1624	1624	1492	1492	1430
2382	02382	2076	2004	2004	1954	1954	1912	1912	1780	1780	1718
2670	02670	2364	2292	2292	2242	2242	2200	2200	2068	2068	2006
2958	02958	2652	2580	2580	2530	2530	2488	2488	2356	2356	2294
3246	03246	2940	2868	2868	2818	2818	2776	2776	2644	2644	2582
3534	03534	3228	3156	3156	3106	3106	3064	3064	2932	2932	2870
3630	03630	3324	3252	3252	3202	3202	3160	3160	3028	3028	2966

<sup>2)</sup> Other stroke lengths are available upon request.