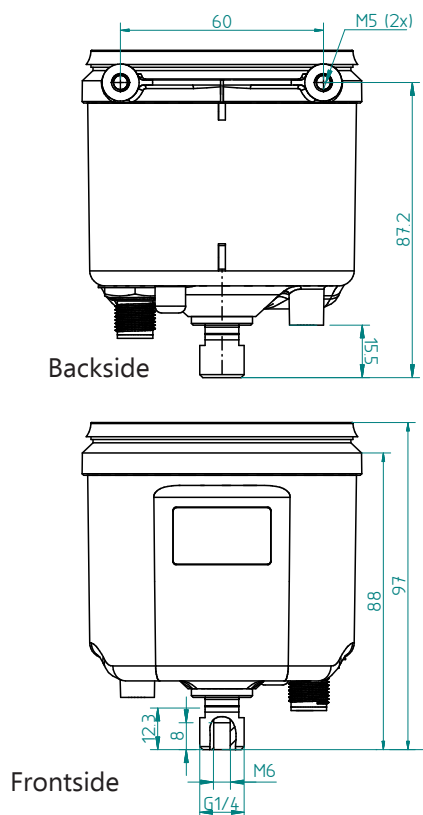
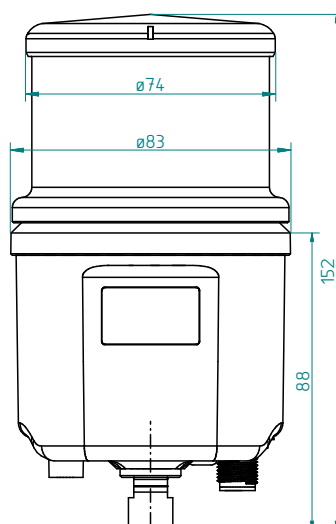


# FlexxPump 125 & FlexxPump 125 DLS



## Note on delivery:

The FlexxPump 125 is vented with Grease F02 on delivery



type	variant	outlets	double-pump bodies	lubrication points	M12x1 plug	part-no.
125	24 V DC time-controlled	1	1	max. 4* / 10**	++	135-125-100
125 DLS	24 V DC pulse-controlled	1	1	max. 4* / 10**	++	135-125-210

\* when using distributors / splitter

\*\* when using distributors more lubrication points are possible!

# Controlled minimum quantity lubrication for oil 24V DC

function:	piston pump
lubricant volume:	125 / 250 ml (in cartridge)
volume per stroke:	0,15 mlc per outlet
number of pump strokes per cartridge 125 / 250 cc:	ca. 780 / 1560
operating pressure:	50 bar
lubricant:	oil
operating temperatur:	-10°C ... +60°C
number of outlets:	1
thread outlet:	G1/4"(a) and M6(i)
operating voltage:	24 V DC (via cable)
connector:	M12 x 1, 4-pole
current consumption 24 V DC:	Imax. 350 mA
assembly:	Backside M5(i) (2x) or downside M5(i) with G1/4"(a) or DLS accessories
mounting position:	perpendicular, cartridge up
control:	integrated microelectronic SPS (#135-125-210)
running-time:	1 till max. 36 months (time-controlled)
max. amount per cycle:	max. 1,50 ml
pressure monitoring:	integrated, electronic
level monitoring:	integrated, electronic
error message:	time-controlled: optical LCD
error acknowledgment:	pulse-controlled: SPS
filling function:	SPS (#135-125-210) available
protection class:	IP 54
housing material:	PA 6.6-GF 30 / POM



**Ideal for single or combined  
relubrication of:**

- + chains
- + open gears
- + rails for rollers