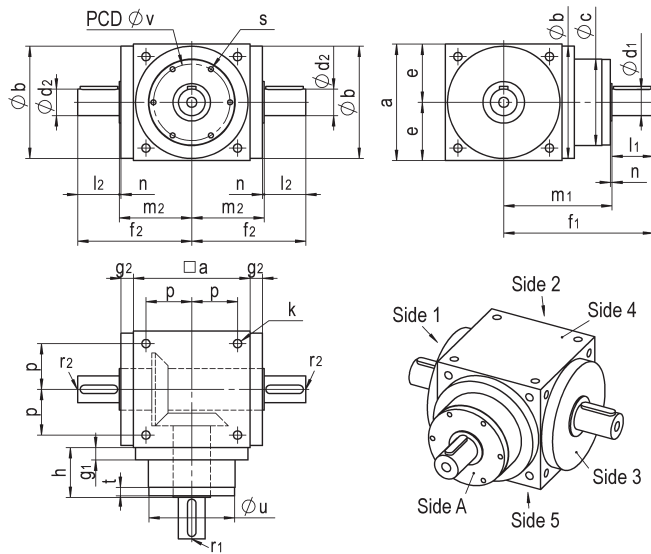


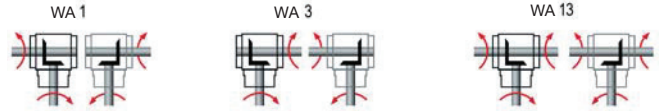
# Dimensions and shaft arrangements

## HS-Version configuration L

**POWER GEAR<sup>HS</sup>**



always right view = mirrored illustration



	S90L	S110L	S140L	S170L
<b>a</b>	90	110	140	170
<b>Øb<sub>h7</sub></b>	88	108	135	165
<b>Øc</b>	86	106	104	128
<b>Ød<sub>1 k6</sub></b>	16	18	22	32
<b>l<sub>1</sub></b>	30	35	40	50
<b>Ød<sub>2 k6</sub></b>	16	18	22	32
<b>l<sub>2</sub></b>	30	35	40	50
<b>e</b>	45	55	70	85
<b>f<sub>1</sub></b>	130	150	170	205
<b>f<sub>2</sub></b>	87	102	122	149
<b>g<sub>1</sub></b>	15	15	15	15
<b>g<sub>2</sub></b>	10	10	10	12
<b>h</b>	55	60	60	70
<b>k</b>	M6x12	M8x15.5	M10x19.5	M12x23
<b>m<sub>1</sub></b>	100	115	130	155
<b>m<sub>2</sub></b>	57	67	82	99
<b>n<sub>1</sub></b>	2	2	2	2
<b>n<sub>2</sub></b>	2	2	2	2
<b>p</b>	36	44	55	67
<b>r<sub>1</sub><sup>*</sup></b>	M5	M6	M8	M12
<b>r<sub>2</sub><sup>*</sup></b>	M5	M6	M8	M12
<b>s</b>	4xM5x12	6xM6x12	6xM6x12	6xM8x16
<b>t</b>	8	8	10	10
<b>Øu<sub>g6</sub></b>	87	107	107	127
<b>Øv</b>	76	92	92	114
<b>Feather key<sub>d1</sub><sup>**</sup></b>	5x5x25	6x6x28	6x6x32	10x8x45
<b>Feather key<sub>d2</sub><sup>**</sup></b>	5x5x25	6x6x28	6x6x32	10x8x45

\* According to Form D, DIN332

\*\* Feather key to DIN6885/1