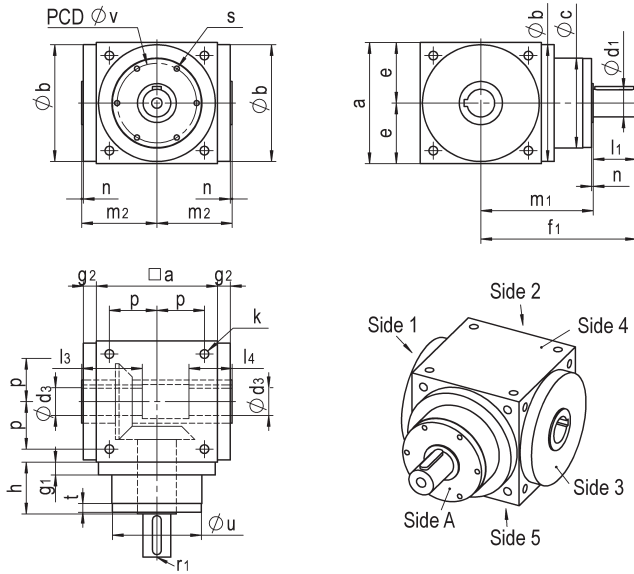


Dimensions and shaft arrangements

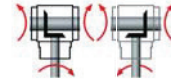
HS-Version configuration H

POWER GEAR^{HS}



right view = mirrored illustration

WA 13



	S90H	S110H	S140H	S170H
a	90	110	140	170
Øb _{h7}	88	108	135	165
Øc	86	106	104	128
Ød _{1 k6}	16	18	22	32
l ₁	30	35	40	50
Ød _{3 H7}	14	18	22	32
l ₃	49	61	70	85
l ₄	30	35	35	50
e	45	55	70	85
f ₁	130	150	170	205
g ₁	15	15	15	15
g ₂	10	10	10	12
h	55	60	60	70
k	M6x12	M8x15.5	M10x19.5	M12x23
m ₁	100	115	130	155
m ₂	57	67	82	99
n ₁	2	2	2	2
n ₂	2	2	2	2
p	36	44	55	67
r ₁ *	M5	M6	M8	M12
s	4xM5x12	6xM6x12	6xM6x12	6xM8x16
t	8	8	10	10
Øu _{g6}	87	107	107	127
Øv	76	92	92	114
Feather key _{d1} **	5x5x25	6x6x28	6x6x32	10x8x45
Feather key groove _{d2} **	5x5	6x6	6x6	10x8

* According to Form D, DIN332

** Feather key/Feather key groove to DIN6885/1