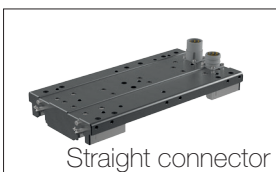




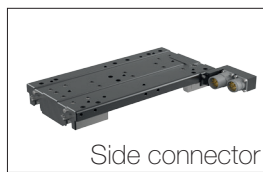
**GRAESSNER**

# INFORMATION

November 2015



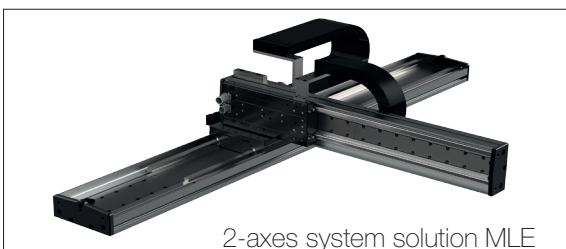
Straight connector



Side connector



Gantry system solution MLE



2-axes system solution MLE

## DirectDrives

Linear motor axes

Company Graessner is your specialist for electromechanical solutions! We develop innovative products for fast and precise positioning tasks. We are also experts in custom-designed and flexible solutions for applications in machine building and are highly skilled in industrial automation.

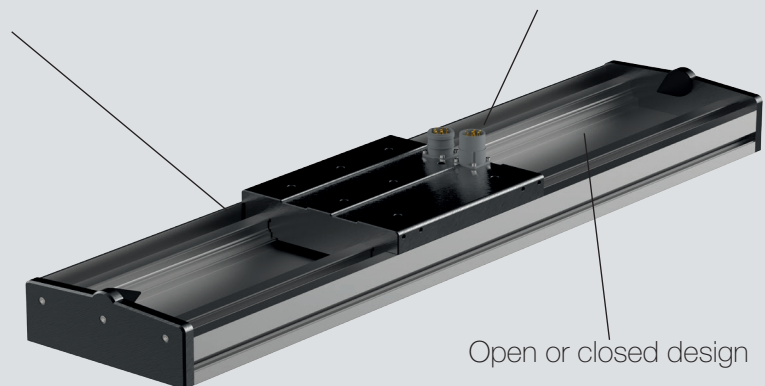
### Iron-core linear motor axis MLE

Dynamic, fast and precise

- 11 different sizes
- Peak forces of up to 4,000 N
- Tilting moments of up to 2,000 Nm
- Low-maintenance due to few mechanical parts
- Motor axis in lightweight design
- Maximum machine dynamics
- Modular linear axes lengths
- Low maintenance costs
- Designed for your S5 operation

High compatibility with many servo amplifiers

Lubrication for up to 10,000 km



Open or closed design

We handle and/or support you with...

- the engineering of your complete system
- the design work (3D files)
- on-time completion due to short delivery times
- your commissioning process

Graessner GmbH Perfektastraße 61 Objekt 6/2 A-1230

<<Kunde>>  
 z.H. <<Titel>> <<Vorname>>  
 <<Nachname>>  
 <<Straße>>  
 <<PLZ>> <<Ort>>  
 <<Land>>

Please send me detailed information about....



Linear motor axis MLE

Technical documentations regarding this gearing solution, please request via Fax: + 43 1 / 699 24 30 – 20